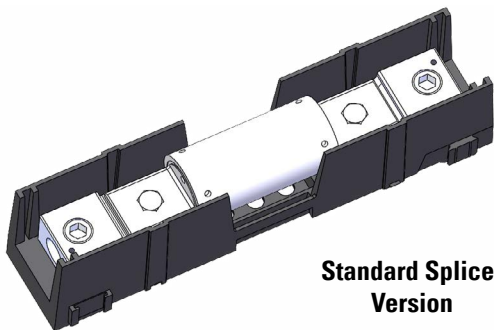


200 AMP CLASS-J FUSE HOLDERS

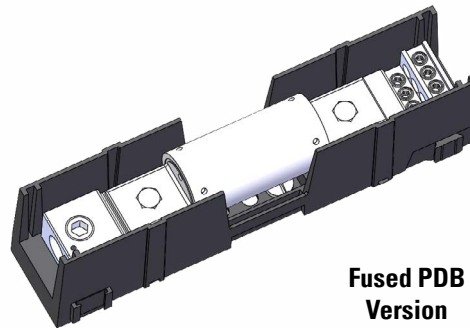
Available Q3 2020

Regal has redesigned the Marathon Special Products traditional 200A, 600V FH to provide considerable benefits over what is available today. For more information, see the below summary or reach out to your representative.

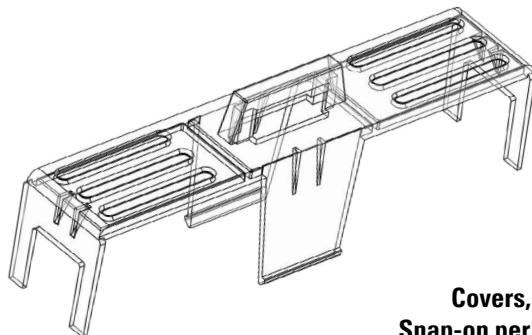
Additionally, MSP has added a **Fused Power Distribution Block** version to this product series.



**Standard Splicer
Version**



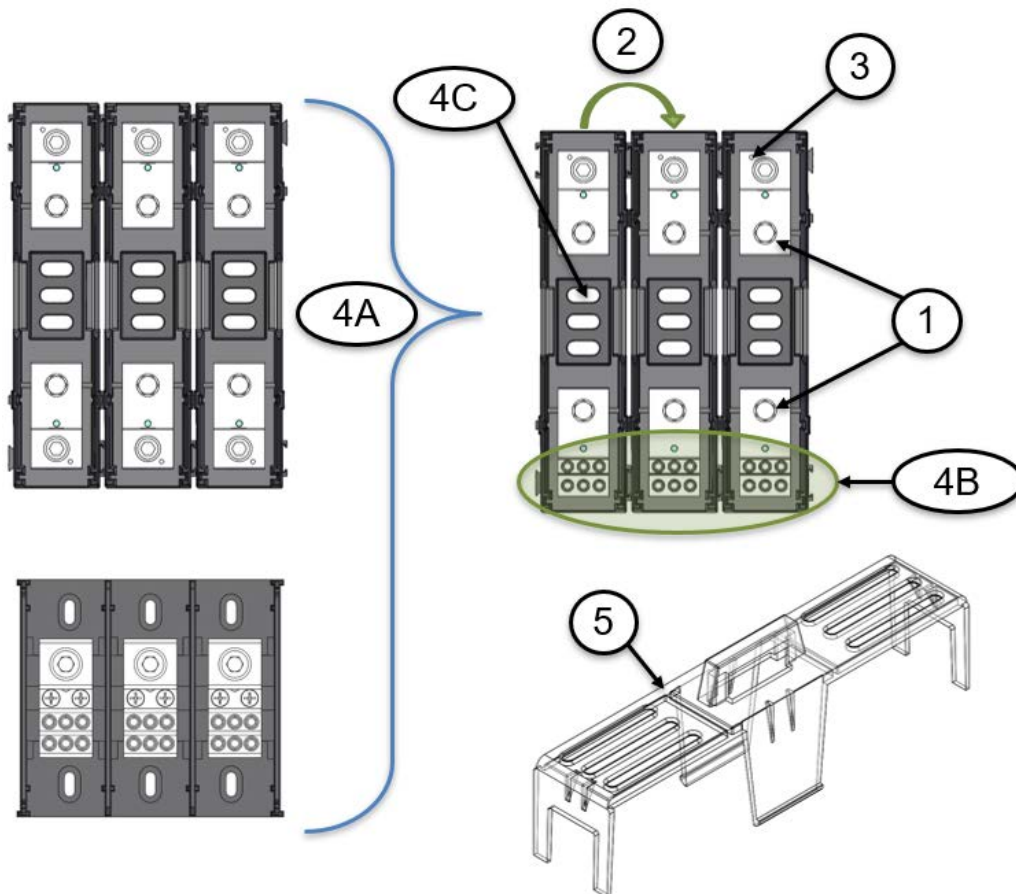
**Fused PDB
Version**



**Covers,
Snap-on per pole**

KEY BENEFIT

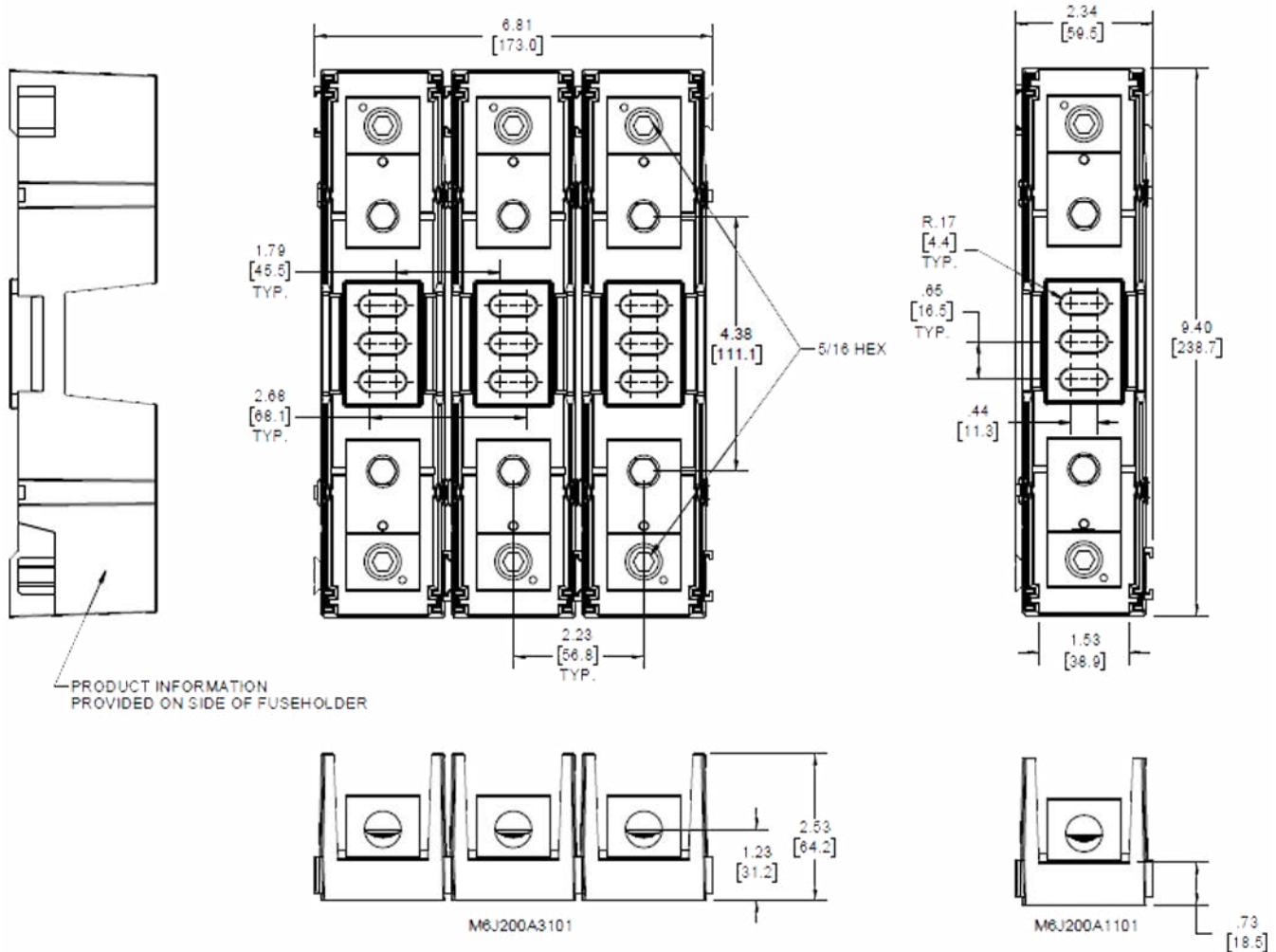
- 1. Bolt-down Fuse Connection** – provides easy installation and removal, along with an extremely reliable connection for maximized heat dissipation. MSP is the only one who offers this with Class-J fuses.
- 2. Feeder Circuit Spacing** – when applying to UL508A, all components, particularly distribution components are to meet the spacing requirements that are in excess of traditional recognized power terminal blocks or listed fuse holders.
- 3. Control Tap** - This allows power to be tapped off the line side of the main supply in order to feed into a control circuit or power an auxiliary device. When downstream power circuits are closed with a disconnect, this circuit can still be fed.
- 4. Power Distribution Option**
 - Space Savings** – up to 60% space savings by reducing the need for a separate fuse holder and power distribution block.
 - Wire Range** – exceeds competitions wire size and number outputs. Six outputs of #2 - #14 vs #4 - #14 AWG
 - Common Mounting** – meets competition mounting for sourcing alternates
- 5. Covers** – Snap-on style covers for dead-front protection & safety.
- 6. Modularity** – Provides the flexibility to customers to configure multi-line blocks or add on to existing one.
- 7. Weight Reduction** – 30% reduction over standard models. Redeems the weight reduces the freight.
- 8. High Short Circuit Rating (SCCR)** - achieved with the full distribution wire range at 200kA to assure safety while saving critical space.



MSP Part Numbers - 200 Amps, 600 Volts

Type	Poles	Catalog No.	Line Side	Load Side	Datasheets
			(Openings) Wire Range	(Openings) Wire Range	
Standard Splicer	1*	M6J200A1101	(1)250 kcmil - #6 AWG	(1)250 kcmil - #6 AWG	Datasheet
	3	M6J200A3101			
Fused Dist. Block	1*	M6J200A1106	(1)250 kcmil - #6 AWG	(6) #2 - #14 AWG	Datasheet
	3	M6J200A3106			

* Single Poles are modular to snap together any line-length or securely add on to an existing 1 or 3 pole.





marathon[®]
Special Products

APPLICATION CONSIDERATIONS

The proper selection and application of power transmission products and components, including the related area of product safety, is the responsibility of the customer. Operating and performance requirements and potential associated issues will vary appreciably depending upon the use and application of such products and components. The scope of the technical and application information included in this publication is necessarily limited. Unusual operating environments and conditions, lubrication requirements, loading supports, and other factors can materially affect the application and operating results of the products and components and the customer should carefully review its requirements. Any technical advice or review furnished by Regal Beloit America, Inc. and/or its affiliates ("Regal") with respect to the use of products and components is given in good faith and without charge, and Regal assumes no obligation or liability for the advice given, or results obtained, all such advice and review being given and accepted at customer's risk.

For a copy of our Standard Terms and Conditions of Sale, please visit <http://www.regalbeloit.com> (please see link at bottom of page to "Standard Terms and Conditions of Sale"). These terms and conditions of sale, disclaimers and limitations of liability apply to any person who may buy, acquire or use a Regal product referred to herein, including any person who buys from a licensed distributor of these branded products.

Regal and Marathon Special Products are trademarks of Regal Beloit Corporation or one of its affiliated companies.
©2018, 2017 Regal Beloit Corporation, All Rights Reserved.

